



TEST GAUGES

SOLFRUNT® 4-1/2" Models 1403 and 1404 Test Gauges

DESCRIPTION

Series 1400 4-1/2" SOLFRUNT test gauges are designed to combine laboratory test gauge accuracy with carrying case or rolling test stand portability, and frequently are permanently installed on instrument shop test benches or test panels. These gauges feature a $\pm 0.25\%$ accuracy (Grade 3A) solid front case, which provides a partition between the pressure measuring element and the window, with a pressure relieving back. Accurate gauge reading is accomplished by sighting the knife edge of the indicating pointer with the paralleling pressure graduation, while simultaneously eliminating the pointer's image on the mirrored dial edge. An adjustable pointer provides front zero adjustment. Other calibration adjustments can be made from the back without removal from the case. Metric ranges are available upon request.

4-1/2"
Model 1403



4-1/2"
Model 1404

SPECIFICATIONS

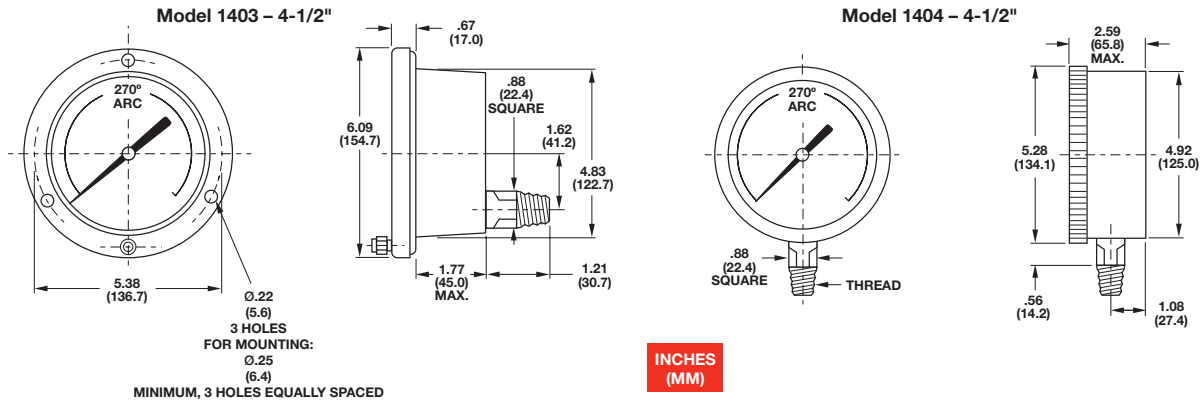
- SIZES:** 4-1/2"
- ACCURACY:** $\pm 0.25\%$ of span (Grade 3A)
- BOURDON TUBE:** Silver brazed; *Phosphor bronze*: 30" Hg VAC through 60 psi; *Beryllium copper*: 100 through 5000 psi
- WINDOW:** Molded acrylic with gasket
- MOVEMENT:** Geared ARC-LOC with parts of phosphor bronze and stainless steel to minimize friction and wear
- DIAL:** White coated aluminum, black markings and mirrored edge
- POINTER:** Knife-edged, black, adjustable
- CASE:** SOLFRUNT, Cast aluminum, black finish with aluminum pressure relieving back; *1403*: Front flanged for panel mounting; *1404*: Flangeless for stem mounting
- RING:** *1403*: Steel hinged, black finish; *1404*: Aluminum snap-lock bayonet, black
- CONNECTION:** 1/2-14 ANPT standard (1/4-18 ANPT optional), brass

Standard Ranges		
Maximum Indication	Figure Intervals	Smallest Intervals
30" Hg VAC	2" Hg VAC	0.1" Hg VAC
15 psi	1	0.05
30 psi	2	0.1
60 psi	5	0.2
100 psi	5	0.5
160 psi	10	1
200 psi	10	1
300 psi	20	1
600 psi	50	2
1000 psi	50	5
1500 psi	100	5
2000 psi	100	10
3000 psi	200	10
5000 psi	200	20



TEST GAUGES

SOLFRUNT® 4-1/2" Models 1403 and 1404 Test Gauges



Spec Number Selection Chart		
Test Gauges	Model No. 1403 1/2-14 ANPT, Lower-Back Mount*	Model No. 1404 1/2-14 ANPT, Lower Mount*
Bourdon Tube	Phosphor Bronze (30" Hg VAC through 60 psi) Beryllium Copper (100 psi through 5000 psi)	Phosphor Bronze (30" Hg VAC through 60 psi) Beryllium Copper (100 psi through 5000 psi)
Connection	Brass	Brass
Sizes	4-1/2"	4-1/2"
Ranges	Spec No.	Spec No.
0-30" Hg	132258	132243
0-15 psi	132255	132240
0-30 psi	132256	132241
0-60 psi	132257	132242
0-100 psi	132259	132244
0-160 psi	132260	132245
0-200 psi	132261	132246
0-300 psi	132262	132247
0-400 psi	132263	132248
0-600 psi	132264	132249
0-1000 psi	132265	132250
0-1500 psi	132266	132251
0-2000 psi	132267	132252
0-3000 psi	132268	132253
0-5000 psi	132269	132254

* 1/4-18 ANPT available – use 133XXX when ordering